

# INFRICO

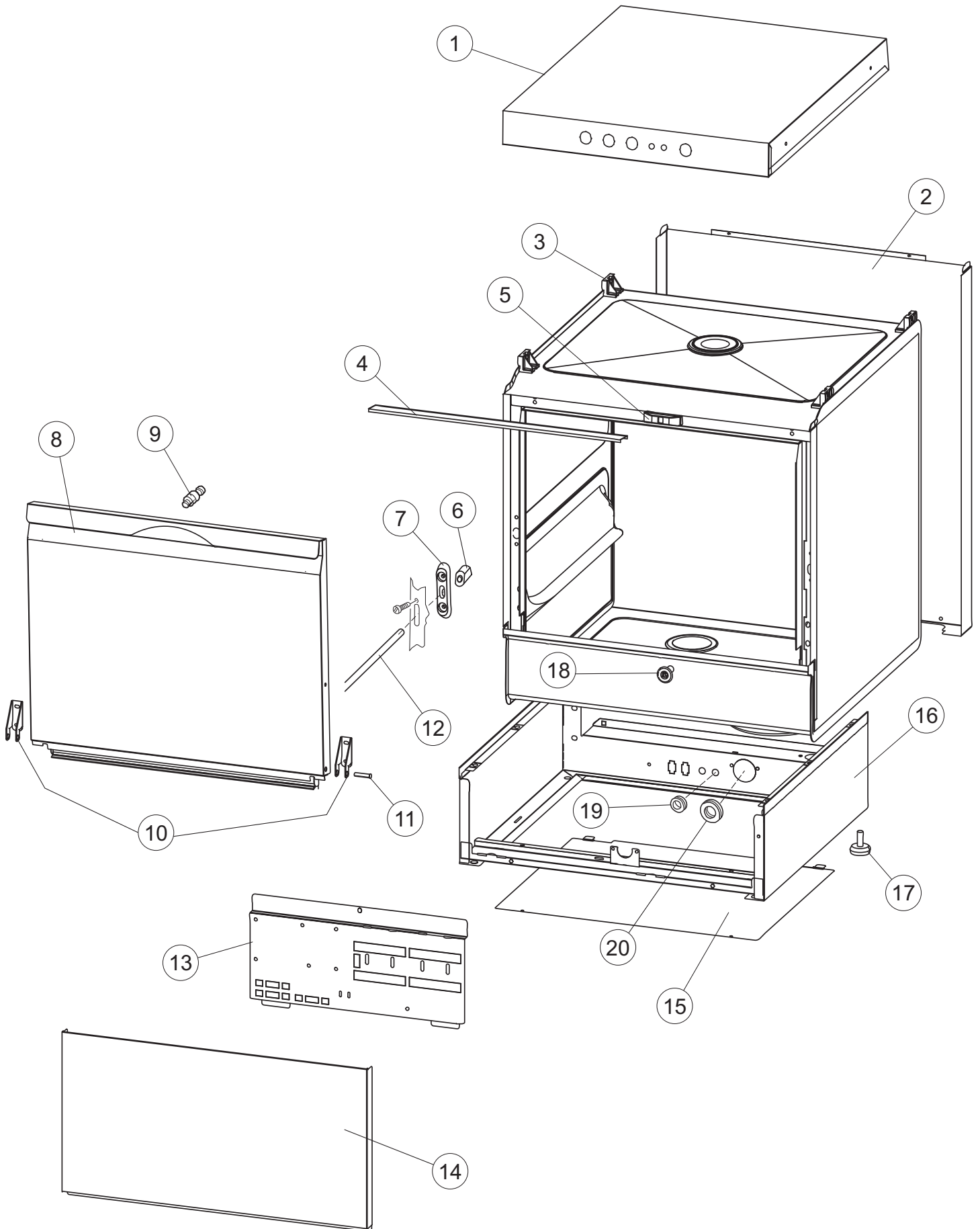
SPARE PARTS CATALOGUE  
ERSATZTEILKATALOG  
CATALOGUE PIECES DETACHEES  
CATALOGO PARTI RICAMBIO  
CATALOGO DE PIEZAS DE RECAMBIO  
CATALOGO PEÇAS DE REPOSIÇÃO

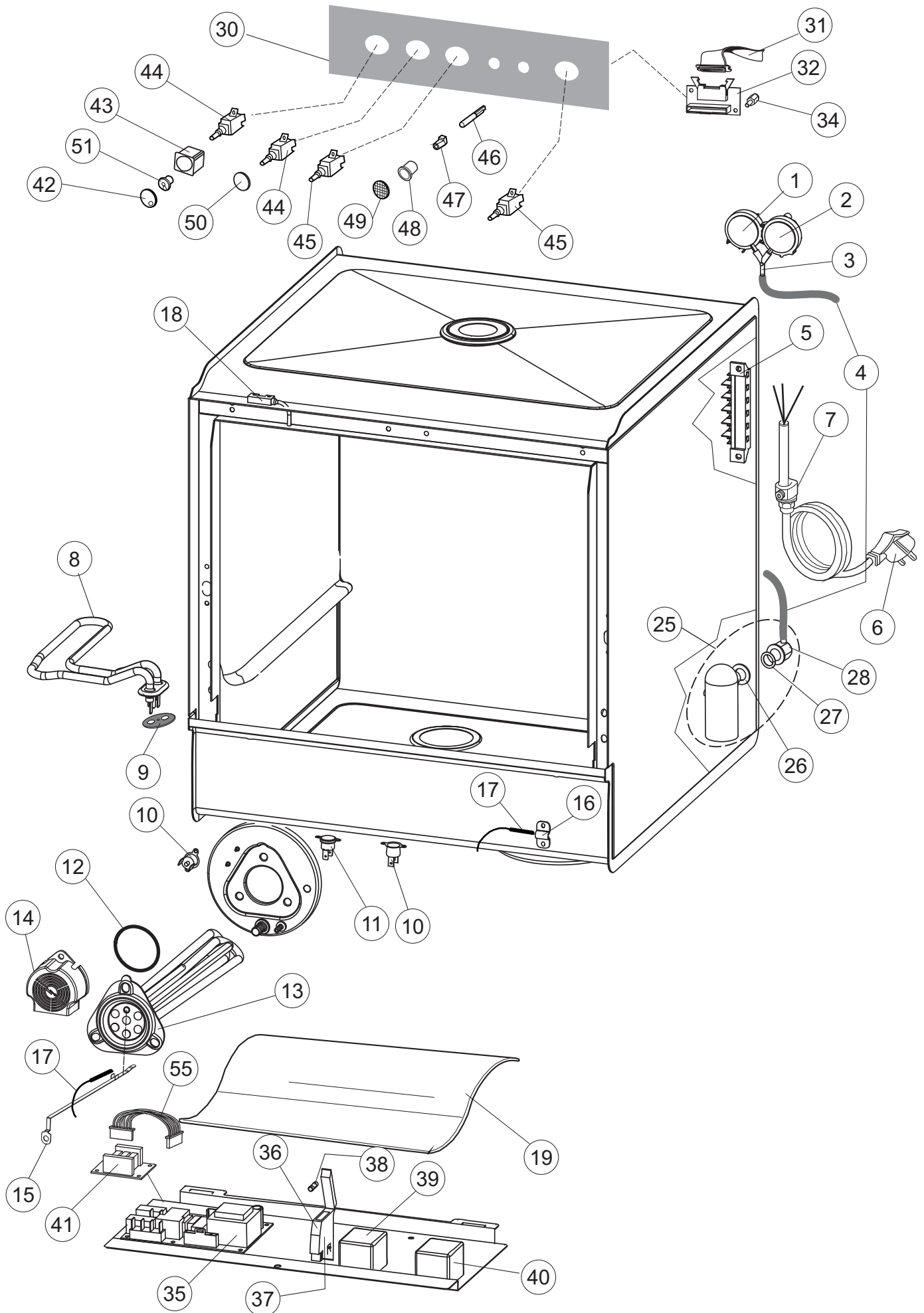
P3250

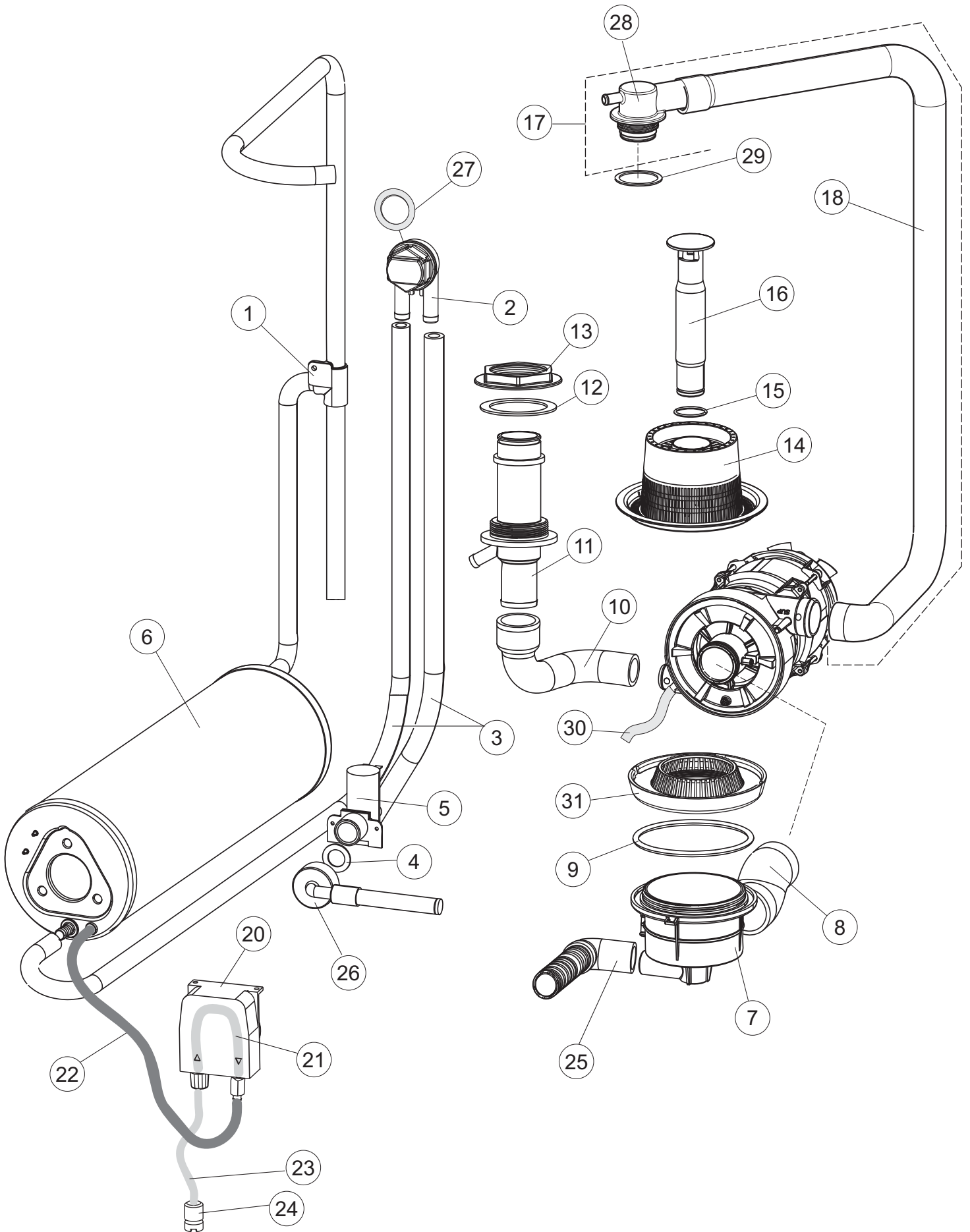
P3250BD

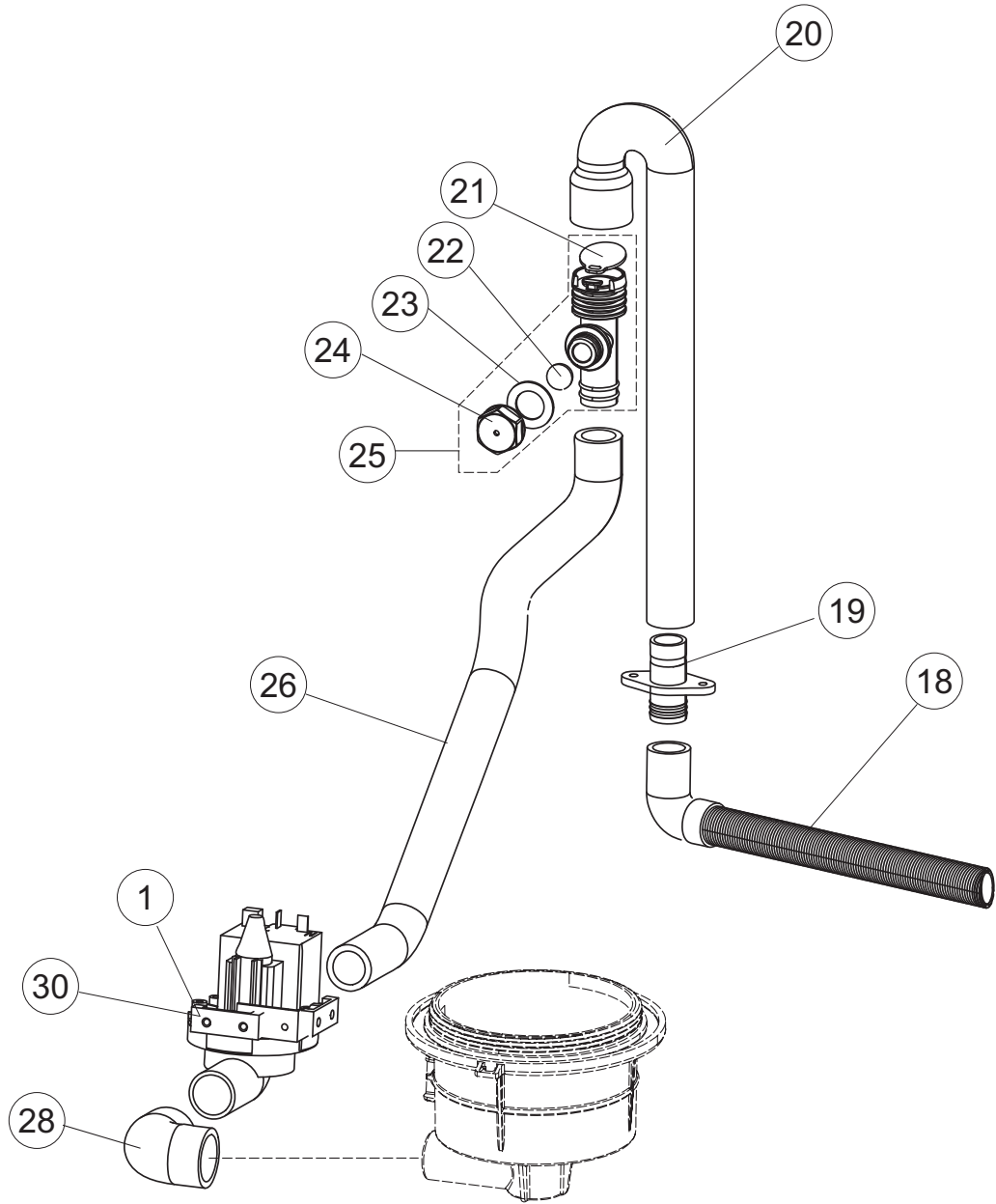
17-01-2014

# 1





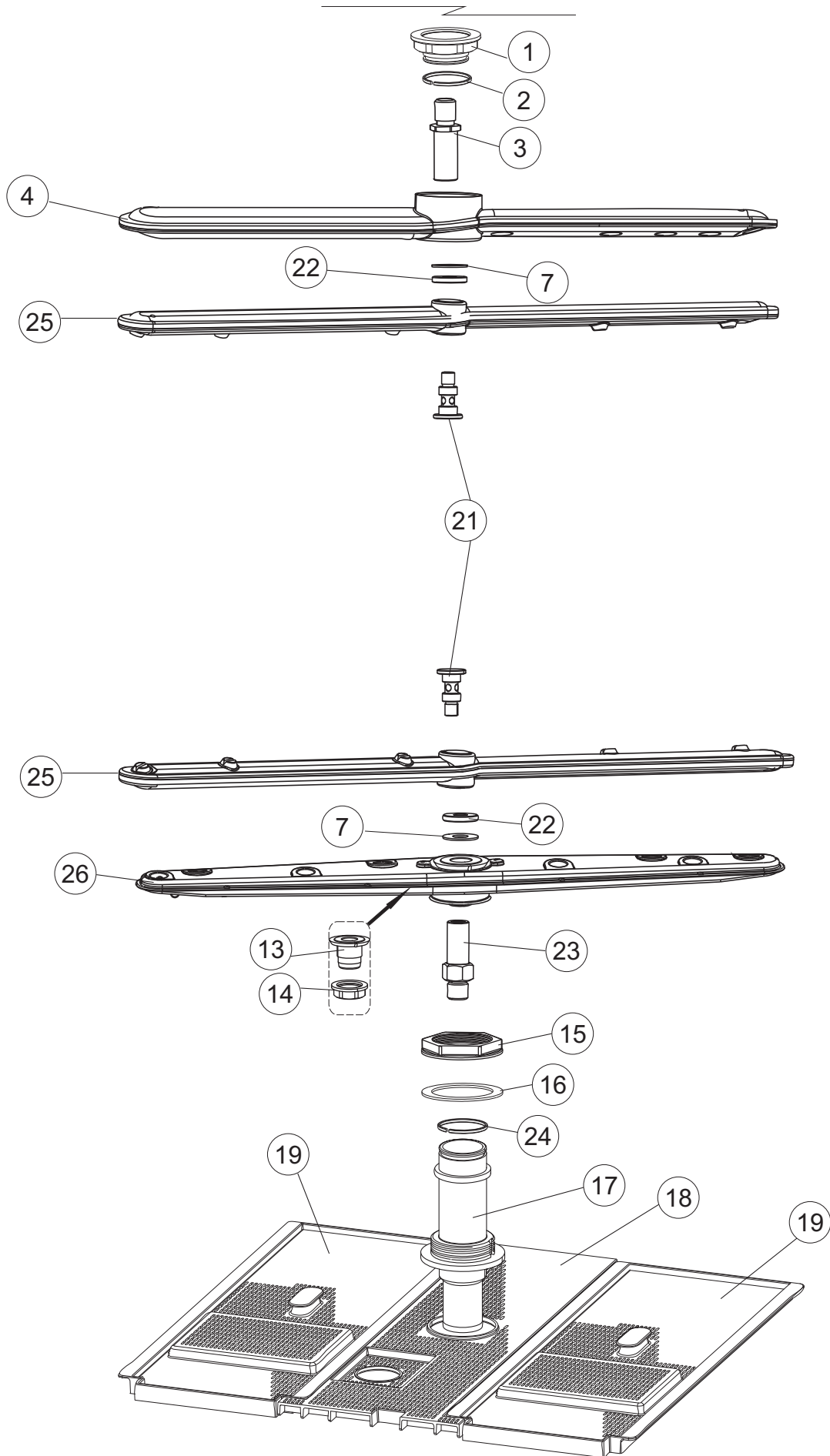




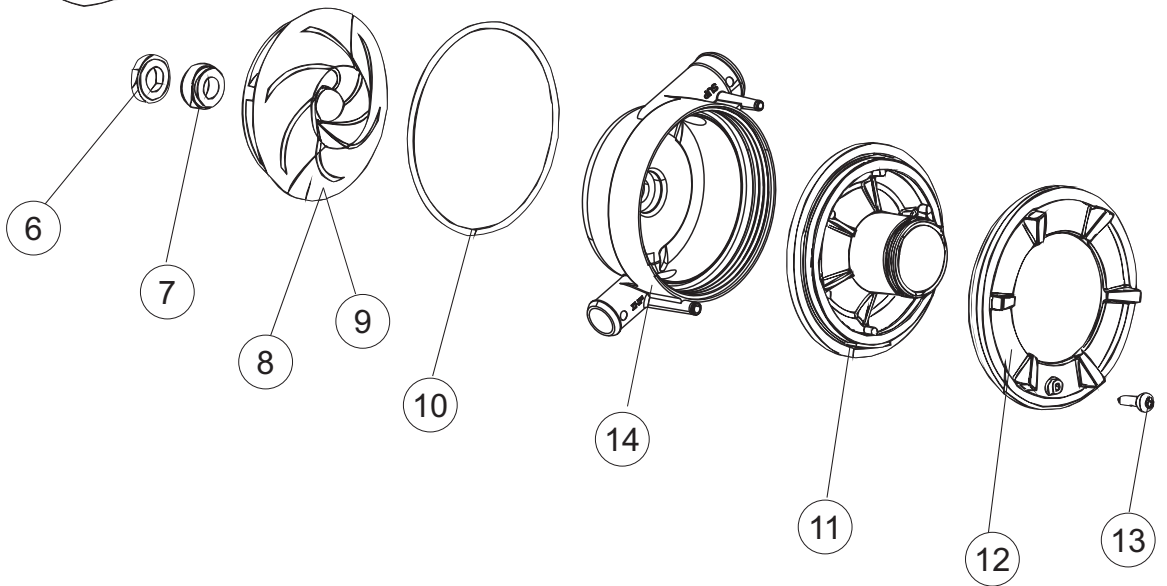
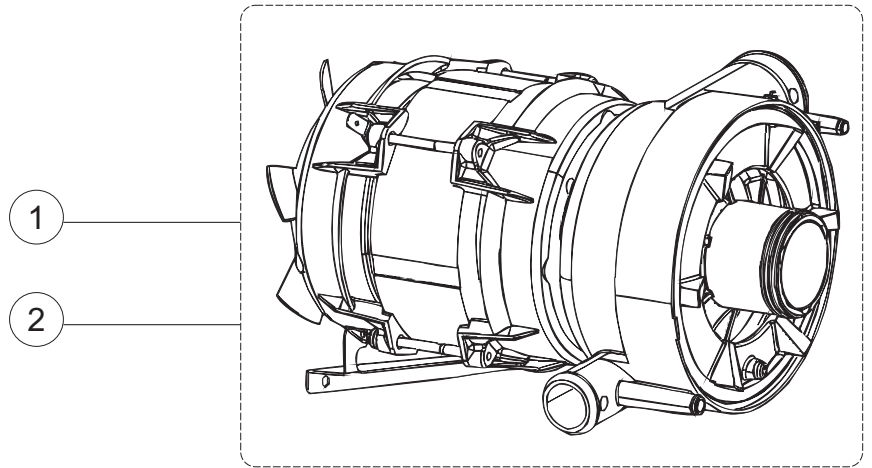
**Drain pump**

P3250BD

# 5



# 6



(\*) Recommended spare part.

Page	Spare part position	Spare part code no.	Old code number	Description	U.m.	Price euro
1	1	004246		COVER	NR	102,85
1	2	022159		BACK PANEL	NR	46,22
1	3	035113		SUPPORT BRACKET	NR	0,84
1	4	437081	REB437081	DOOR GASKET 50/505	NR	9,45
1	5	994012	DWS30	DOOR LOCK FOR DISHWASHERS	NR	22,93
1	6	417041	REB417041	DOOR CLOSING CONTACT BETA 50 (S6198)	NR	3,59
1	7	307003	REB307003	NUT OF TOP DOOR-STOP BAR	NR	5,20
1	8	029728		DOOR,	NR	217,19
1	9	325066	REB325066	DOOR CLOSURE STAKE FOR GLASSWASHERS	NR	4,11
1	10	311019	REB311019	DOOR HINGE D18/G25 (S6662)	NR	5,97
1	11	325036	REB325036	PIVOT	NR	4,63
1	12	304021	REB304021	DOOR TIE ROD FOR DISHWASHER (S6323)	NR	8,14
1	13	035112		WIRING PANEL	NR	22,30
1	14	012338		FRONT PANEL	NR	41,23
1	15	030195		UNDERPROTECTION FOR BASIS OF GLASS- WASHER	NR	17,76
1	16	040123		BASE FRAME LA500	NR	118,73
1	17	461019	REB461019	HEXAGONAL FOOT ADJUSTABLE FOR DISHWASHER	NR	2,40
1	18	480153		PLUG	NR	0,87
1	19	459006	REB459006	CHOCK D INT 9 EST 16	NR	0,55
1	20	459004	REB459004	DRAIN PUMP CHOCK	NR	2,40
2	1	224004	REB224004	PRESSURE SWITCH 35/17	NR	35,37
2	2	224029		PRESSURE SWITCH	NR	22,30
2	3	035031	REB035031	Y-PIPE - PRESSURE SWITCH CONNECTION	NR	6,09
2	4	143013	REB143013	PIPE	MT	2,40
2	5	220011	REB220011	TERMINAL BLOCK	NR	10,23
2	6	299040	REB299040	PLUG SCHUCKO 90- CABLE 1=2,5 MT	NR	25,12
2	7	459005	REB459005	CABLE-RETAINER	NR	11,31
2	8	230118		TANK HEATING ELEMENT	NR	50,57
2	9	437086	REB437086	PACKING OF THE TANK RESISTANCE	NR	5,18
2	10	236047	REB236047	SAFETY TANK THERMOSTAT 95C	NR	10,11
2	11	236052		THERMOSTAT 90+/-3C	NR	10,31
2	12	456002	REB456002	O-RING	NR	1,23



(\*) Recommended spare part.

Page	Spare part position	Spare part code no.	Old code number	Description	U.m.	Price euro
2	13	230116		BOILER HEATING ELEMENT	NR	58,85
2	14	69870		BOILER HEATING ELEMENT PROTECTION	NR	3,81
2	15	69871		PROBE HOLDER	NR	11,04
2	16	028105		FIXING PLATE	NR	1,25
2	17	231016		TEMPERATURE PROBE	NR	28,18
2	18	80871		MAGNETIC DOOR SWITCH	NR	21,54
2	19	214114		TRANSPARENT PROTECTION FOR ELECTRIC INSTALLATION FOR DISHWASHER	NR	7,66
2	25	984007		CONTROL GROUP THE LEVEL OF WATER	NR	5,69
2	26	437019	REB437019	PACKING FOR AIR TRAP OF PRESSURE SWITCH	NR	1,23
2	27	456020	REB456020	O-RING	NR	1,23
2	28	468029	REB468029	AIR TRAP CONNECTION OF PRESSURE SWITCH	NR	2,26
2	30	026492		CONTROL ADHESIVE INTERFACE	NR	36,79
2	31	211013		FLAT WIRE	NR	16,46
2	32	215037		MECHANICAL INTERFACE BOARD	NR	15,82
2	34	419040		INTERFACE BOARD DISTANCE KEEPERS	NR	1,28
2	35	215034-3		MAIN BOARD	NR	111,18
2	36	210010		FUSE-HOLDER	NR	15,74
2	37	210011		PLATE	NR	3,30
2	38	228010		FUSE	NR	1,40
2	39	229029	REB229029	RELAY	NR	26,01
2	40	229039		RELAY	NR	29,74
2	41	215036		EXPANSION CARD FOR ADD-ONS	NR	38,52
2	42	227065		BUTTON	NR	1,97
2	43	226126		PUSH BUTTON CASE	NR	1,40
2	44	208010	REB208010	DOUBLE SWITCH	NR	7,52
2	45	226071	REB226071	CYCLE PUSH-BUTTON - 2 CONTACTS	NR	8,83
2	46	216033		LAMP	NR	3,09
2	47	299035	REB299035	PILOT LAMP SUPPPORT	NR	1,47
2	48	226110		PUSH BUTTON CASE	NR	1,47
2	49	207018		COVER INDICATOR LIGHT	NR	0,61
2	50	227064		BUTTON	NR	8,71
2	51	409003		2 COLOURS CAM	NR	1,98

(\*) Recommended spare part.

Page	Spare part position	Spare part code no.	Old code number	Description	U.m.	Price euro
2	52	203424		WIRING	NR	11,96
3	1	143263		PIPE	NR	47,66
3	2	144030		NO RETURN VALVE	NR	22,85
3	3	143004	REB143004	PIPE	MT	15,72
3	4	437041	REB437041	GASKET	NR	1,48
3	5	240011	REB240011	FILL VALVE	NR	14,29
3	6	104060		BOILER	NR	129,47
3	7	136030		ASPIRATION AND DRAIN BODY	NR	8,67
3	8	127082		DELIVERY WASH HOSE	NR	15,68
3	9	456076		O-RING	NR	3,11
3	10	127085		DELIVERY WASH HOSE	NR	21,69
3	11	115143		MAINFOLD	NR	10,99
3	12	437102		GASKET	NR	2,09
3	13	429073		RING NUT	NR	7,67
3	14	121120		STAINER	NR	13,06
3	15	456081		O-RING	NR	1,64
3	16	142058		OVERFLOW PIPE	NR	10,62
3	17	115150		MAINFOLD	NR	47,44
3	18	127133		DELIVERY WASH HOSE	NR	61,58
3	20	209037		RINSE AID-DISPENSER	NR	142,95
3	21	143266		PIPE	NR	37,73
3	22	143005	SPG10	LINEN RUBBER PIPE 5X12 - BLACK	MT	12,27
3	23	H.775601		PIPE	MT	4,66
3	24	121993		FILTER AID DISPENSER	NR	8,00
3	25	143252		DRAIN HOSE	NR	18,32
3	26	143170	REB143170	CHARGING PIPE	NR	15,48
3	27	437080		GASKET	NR	1,61
3	28	115149		SUPPORT ARMS WASH / RINSE	NR	4,99
3	29	437113		GASKET	NR	1,40
3	30	H.165168		PIPE	MT	3,02
3	31	429072		RING NUT	NR	8,87
4	1	130175		DRAIN PUMP	NR	47,93

(\*) Recommended spare part.

Page	Spare part position	Spare part code no.	Old code number	Description	U.m.	Price euro
4	18	143137	REB143137	DRAIN HOSE	NR	18,32
4	19	468152	REB468152	DRAIN CONNECTION FOR DISHWASHERS SERIE	NR	4,10
4	20	127136		SLEEVE	NR	17,48
4	21	499092		DIAPHRAGM VALVE VENT	NR	2,25
4	22	476008		SPHERE	NR	1,87
4	23	437083		GASKET	NR	0,63
4	24	468199		PIPE FITTING	NR	6,44
4	25	144992		NO RETURN VALVE	NR	15,98
4	26	127135		SLEEVE	NR	17,48
4	28	127134		SUCTION PIPE	NR	7,50
5	1	429079		RING NUT	NR	3,14
5	2	303040		RING	NR	3,99
5	3	325097		PIVOT	NR	30,42
5	4	129076		COMPLETE WASH ARM	NR	27,55
5	7	80623		WASHER	NR	0,95
5	13	417111		UNION NUT WASH/RINSE ARM	NR	2,55
5	14	308031		RING NUT	NR	1,92
5	15	429073		RING NUT	NR	7,67
5	16	437102		GASKET	NR	2,09
5	17	115143		MAINFOLD	NR	10,99
5	18	121145		STAINER	NR	9,96
5	19	121139		STAINER	NR	22,33
5	21	80700		PIVOT	NR	15,98
5	22	80697		RING NUT	NR	11,75
5	23	325070		EXTENSION FOR STUD	NR	22,81
5	24	303040		RING	NR	3,99
5	25	129080		COMPLETE RINSE ARM	NR	27,57
5	26	80345		WASH ASSEMBLY	NR	50,11
6	1	130977		WASH-BODY UNIT AND PUMP (130174)LA500 50HZ	NR	219,17
6	3	335015		WASHPUMP FUN	NR	12,36
6	4	206002	REB206002	CAPACITOR	NR	28,00
6	6	141008		WASHPUMP SHAFT SEAL	NR	9,02

(\*) Recommended spare part.

Page	Spare part position	Spare part code no.	Old code number	Description	U.m.	Price euro
6	7	141009		WASHPUMP SHAFT SEAL	NR	9,02
6	8	124057		ELECTROPUMP IMPELLER	NR	38,08
6	10	456078		O-RING	NR	4,88
6	11	480159		PLUG	NR	14,58
6	12	429074		RING NUT	NR	16,15
6	13	486242		SCREW	NR	0,17
6	14	116032		ELECTROPUMP HOUSING	NR	27,19